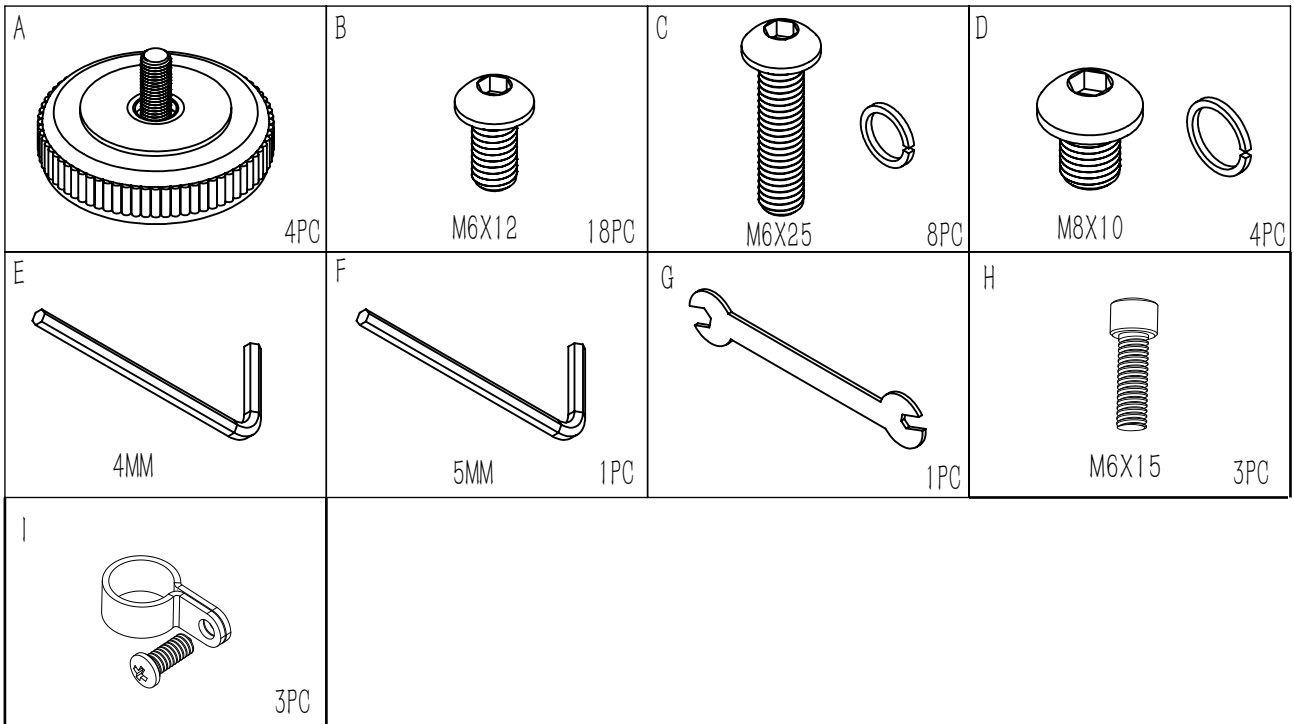
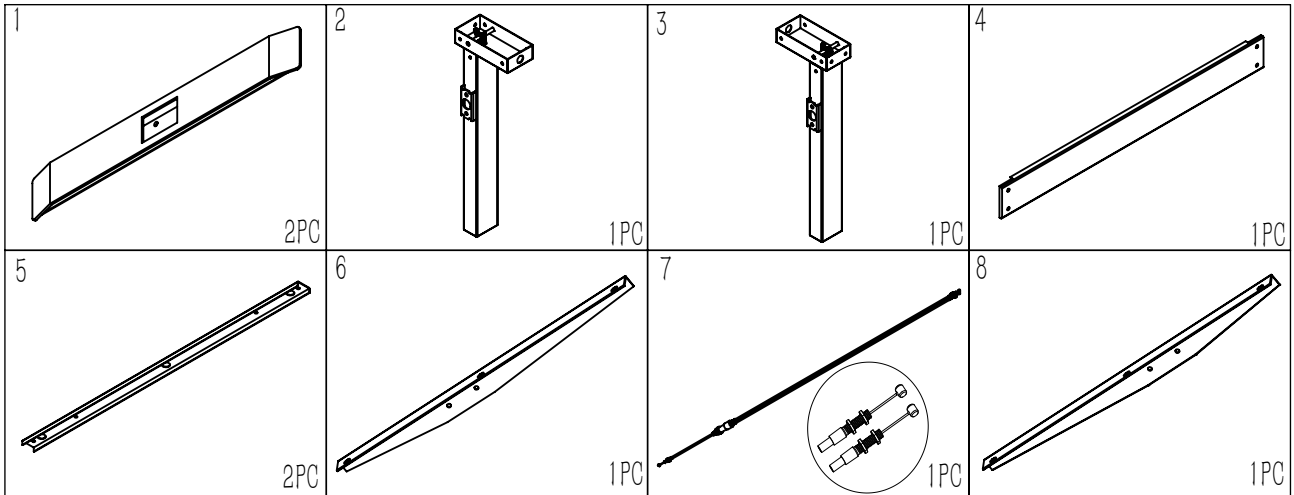
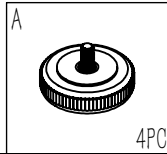
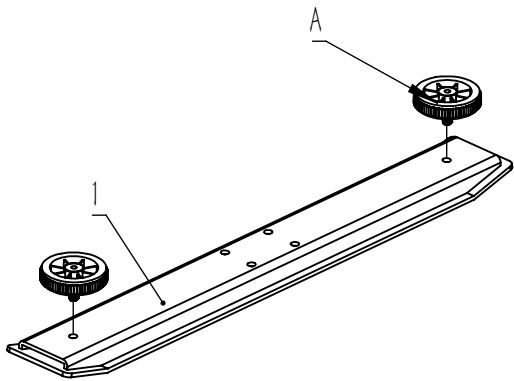


# ASSEMBLY INSTRUCTION

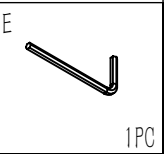
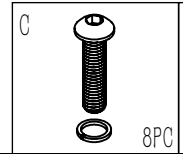
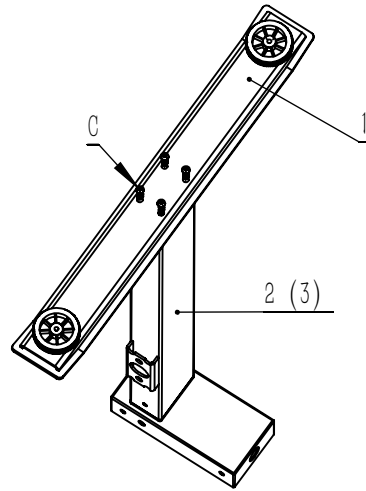


# ASSEMBLY INSTRUCTION

STEP 1

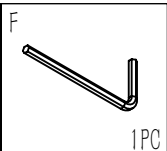
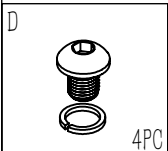
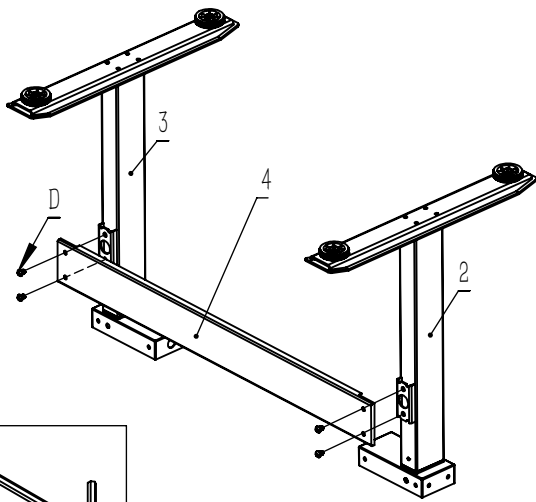


STEP 2



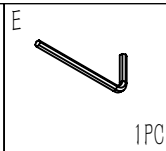
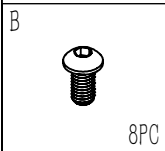
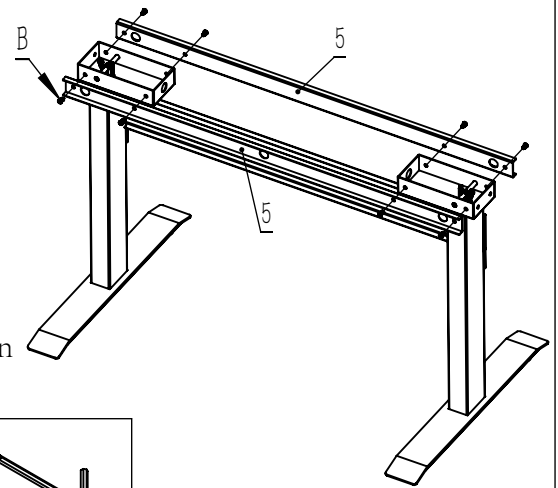
STEP 3

Attention:  
Hand tighten,  
do not engage  
lock washer

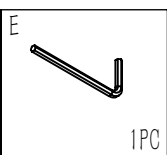
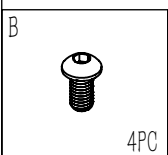
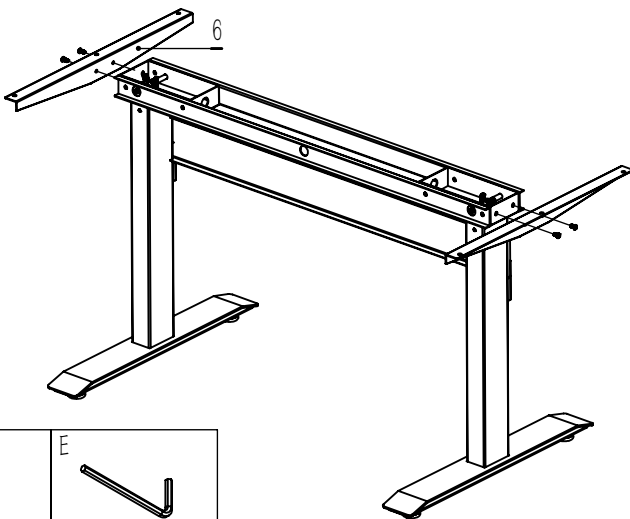


STEP 4

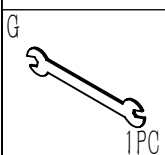
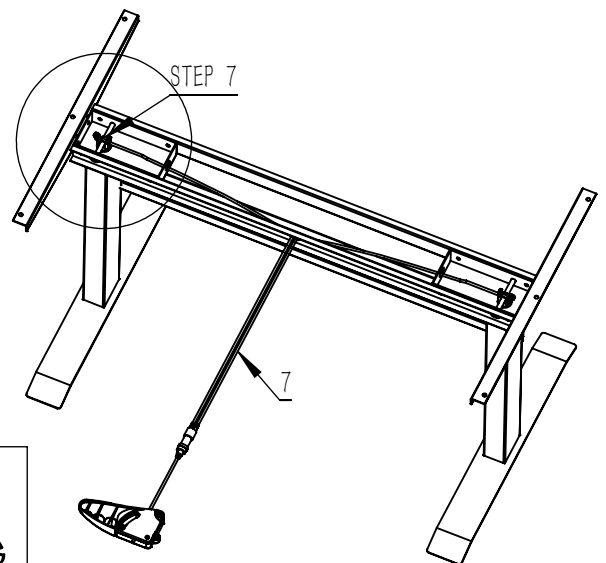
Attention:  
hand tighten  
and lock part  
B to vertical  
column.  
Once set lock  
part D to  
vertical column



STEP 5



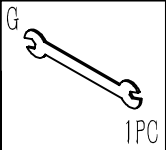
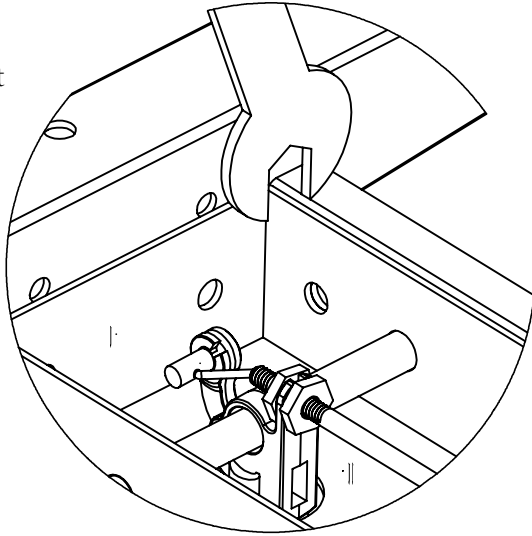
STEP 6



# ASSEMBLY INSTRUCTION

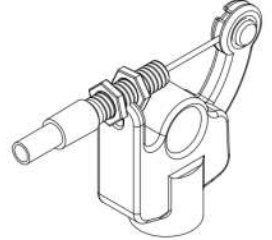
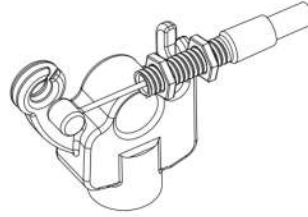
STEP 7

Hand tighten at both ends first, then tighten with tool



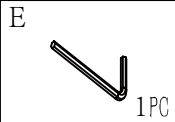
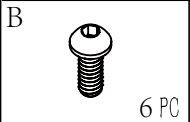
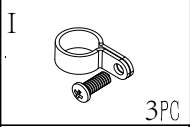
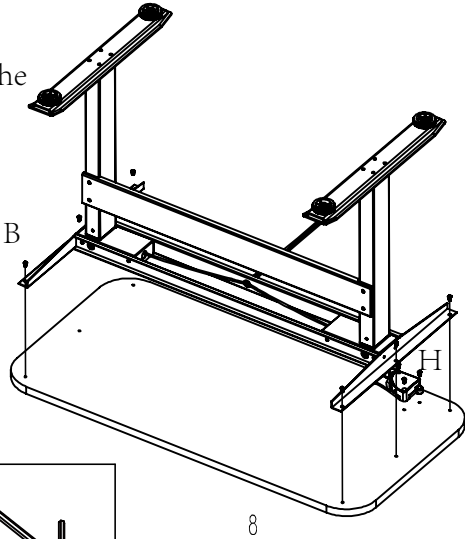
STEP 7

1. Insert accessories in the round hole
2. Insert the thread end in the u-shaped slot
3. put the line into the slot
4. Screw nut with a wrench tight



STEP 8

Use I part to make the line fixed on the surface of the table



STEP 9

